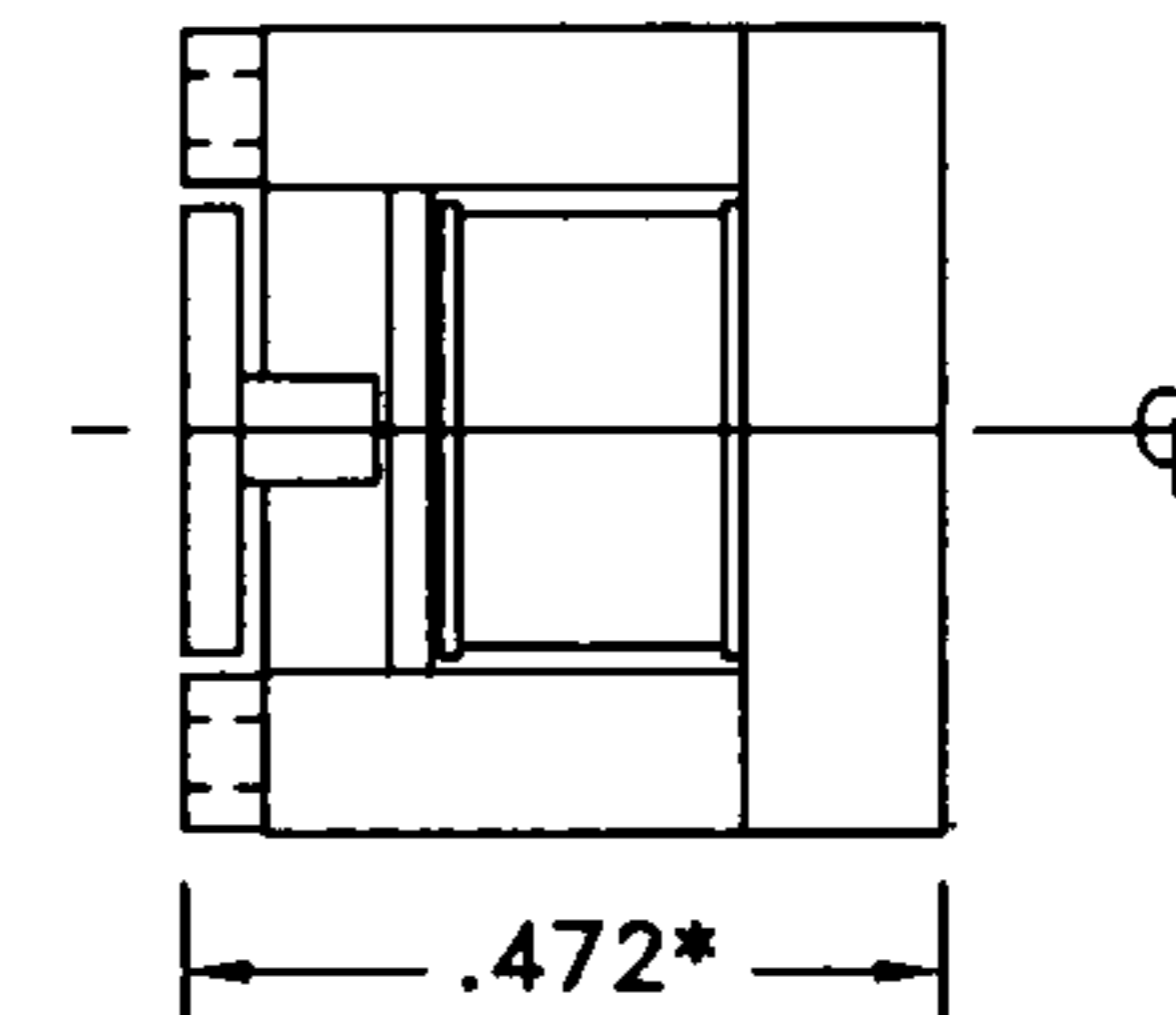
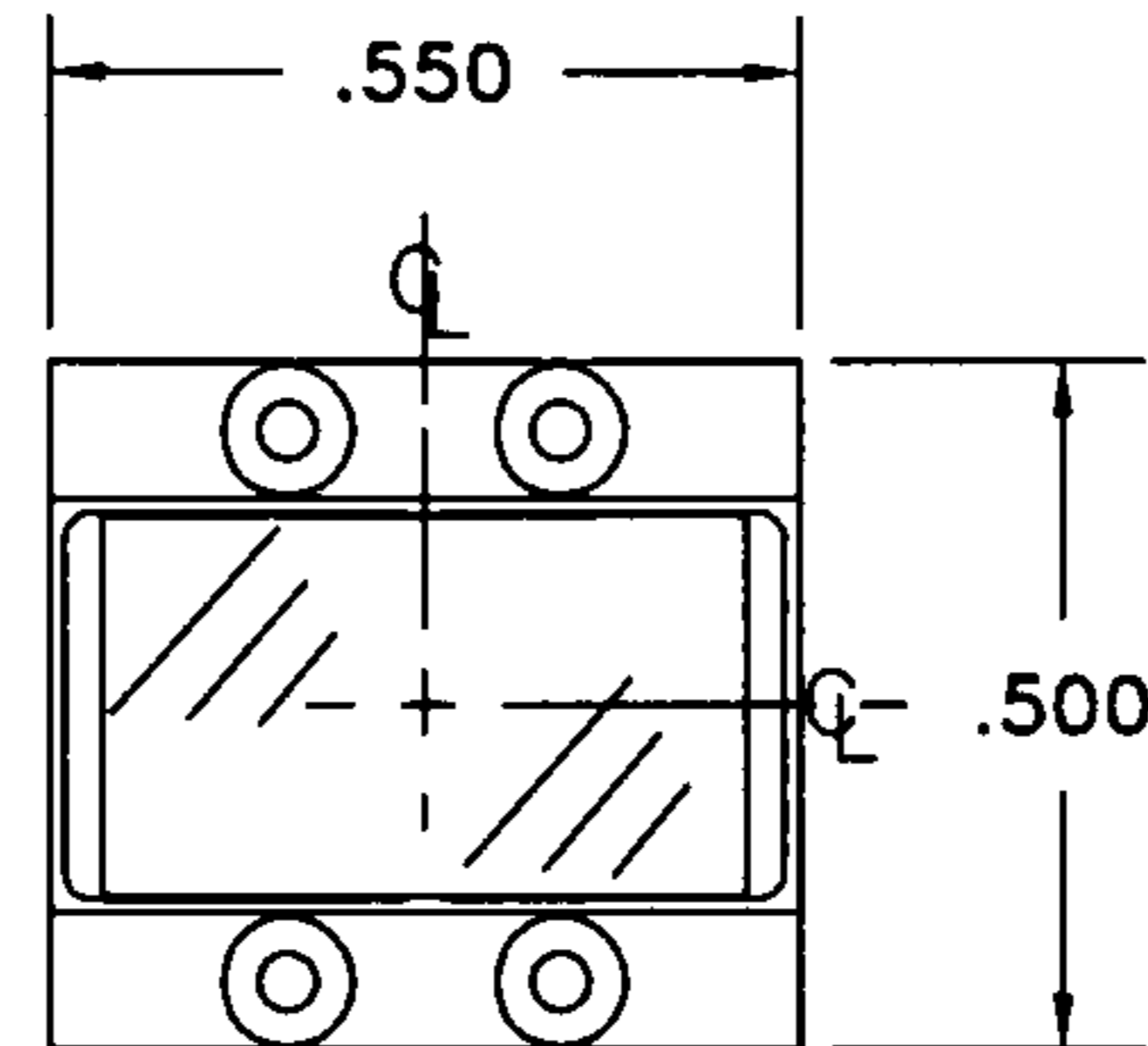


**ELECTRO-OPTICAL PRODUCTS PROPRIETARY**

THIS DOCUMENT CONTAINS PROPRIETARY INFORMATION AND EXCEPT WITH WRITTEN PERMISSION OF ELECTRO-OPTICAL PRODUCTS CORPORATION SUCH INFORMATION SHALL NOT BE PUBLISHED, OR DISCLOSED TO OTHERS, OR USED FOR ANY PURPOSE, AND THE DOCUMENT SHALL NOT BE DUPLICATED IN WHOLE OR IN PART.

**REVISIONS**

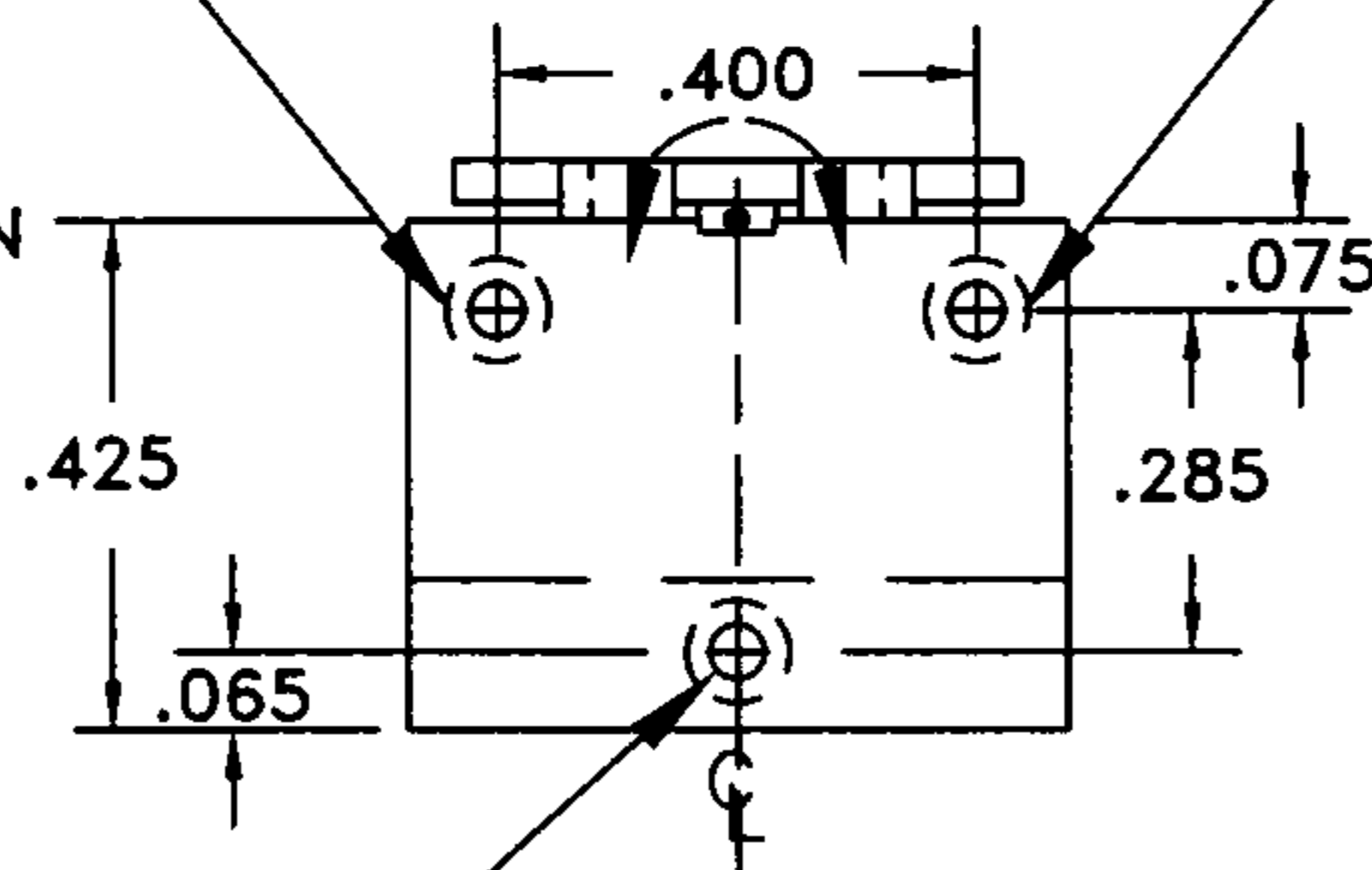
REV	DESCRIPTION	DATE	APPROVED



#2-56 TAPPED THRU MOUNTING HOLE

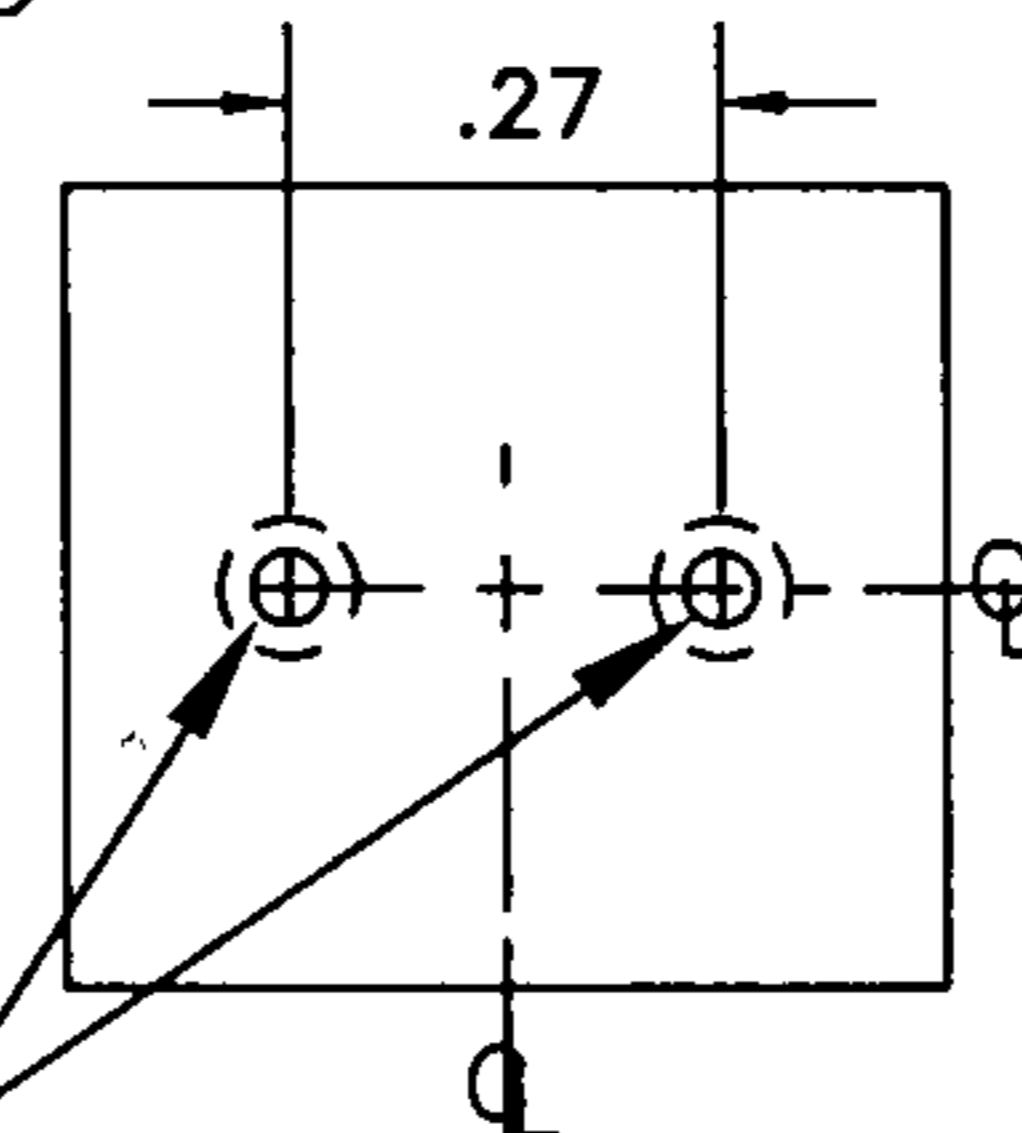
#2-56 TAPPED THRU MOUNTING HOLE

AXIS OF ROTATION



TAPPED #2-56 x 3/8 DP MOUNTING HOLE

TAPPED #2-56 x 1/8 DP MOUNTING HOLE



NOTE:  
\* WITH A 1mm THK MIRROR

UNLESS OTHERWISE SPECIFIED DIMENSIONS ARE IN INCHES & PER ANSI Y14.5M-1982		ELECTRO-OPTICAL PRODUCTS CORP. FRESH MEADOWS, NEW YORK	
FRACTIONS ± ANGLES ±1/2° 3 PLACE DECIMALS ±.005 2 PLACE DECIMALS ±.01 HOLES ±		TITLE OUTLINE DRAWING SC-3-S	
PREPARED 2/2/2011	SIZE A	DWG NO. 11-100904	REV.
APPROVED	SCALE 2 : 1	SHEET 1 OF 1	